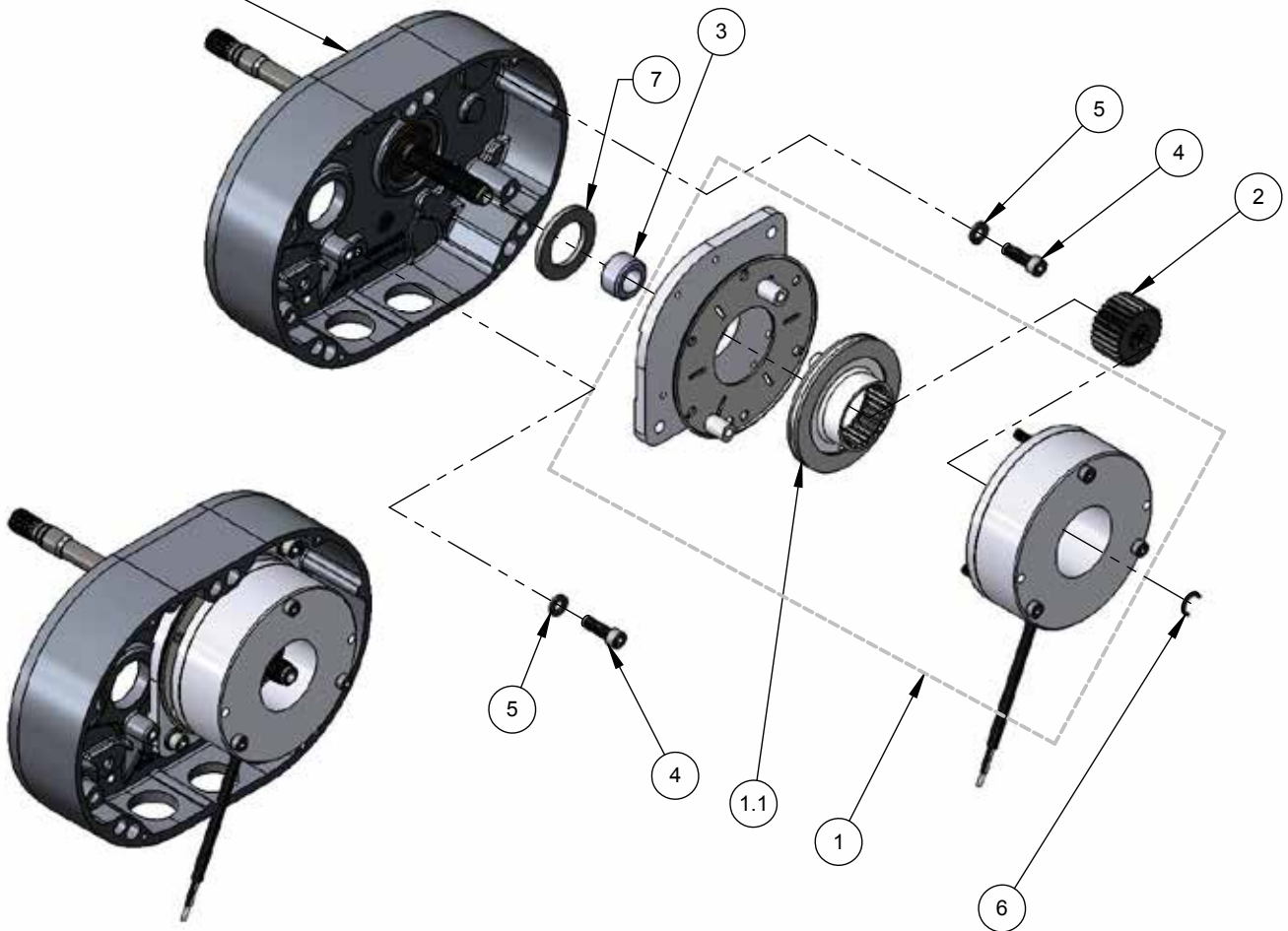


FIGURE 38. LODESTAR DC BRAKE SINGLE MODELS B, C, & F

BACK FRAME
w/ DRIVE SHAFT
& O-RING

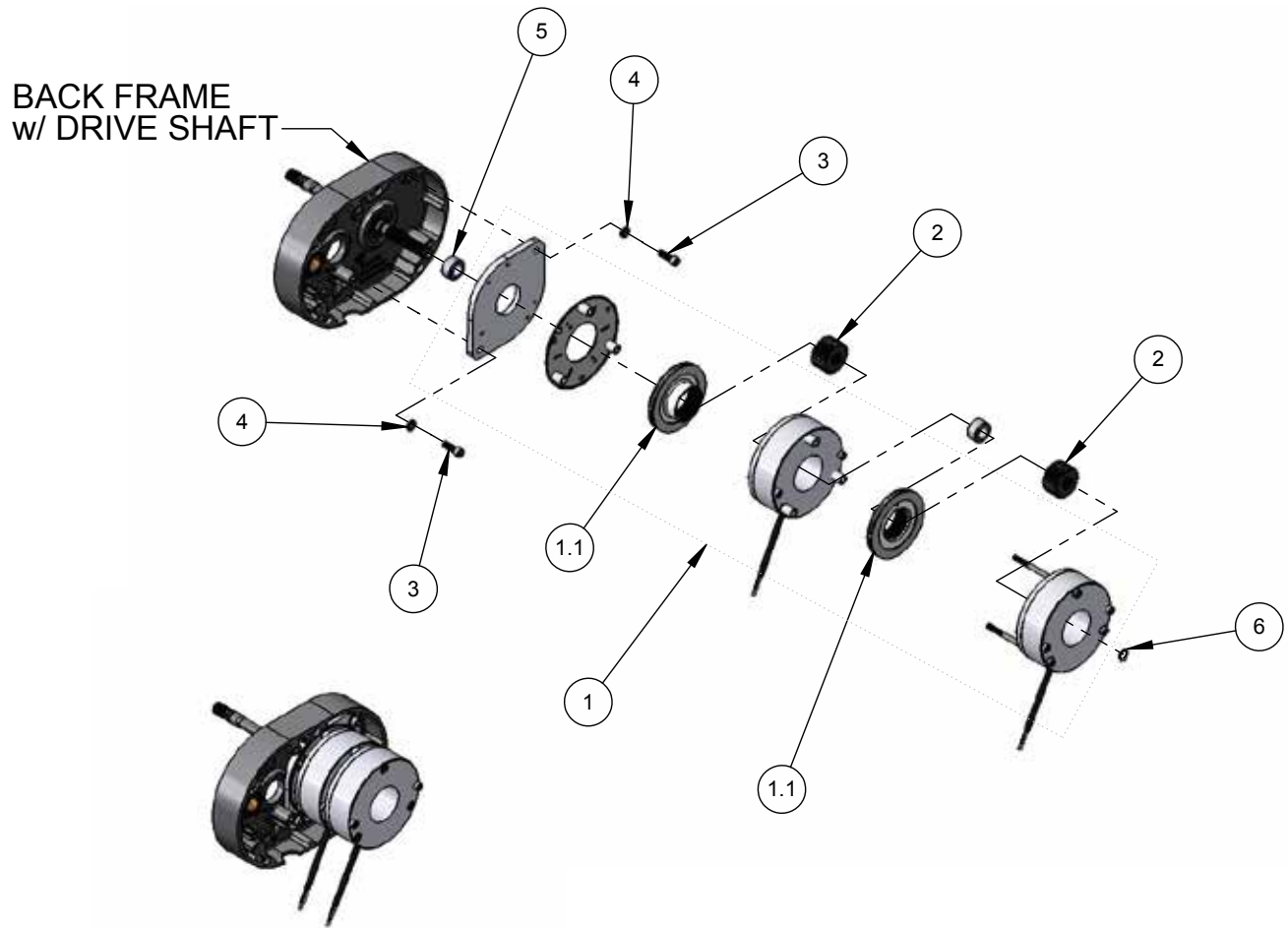


ASSEMBLED VIEW

BRAKE ASSEMBLY ITEM 1	HOIST MOTOR	BRAKE COIL VOLTAGE
10001244	220/230-3-50/60 380/415/480-3-50/60	205VDC

Item No.	PART NO.	DESCRIPTION	Qty.
1	10001243	V1 #8 BRAKE 103V	1
1.1	10001252	V1 LODESTAR, SIZE 8 ROTOR	1
2	00001430	V1 LODESTAR, SIZE 8 HUB	1
3	00001432	HUB SPACER V1 DC BRAKE	1
4	10001265	1/4-20 X 3/4 SKT HEAD SCREW	2
5	982226	LOCKWASHER 1/4 X .109 X .062"	2
6	10409710	ROTOR CLIP RETAINING RING	1
8	10001309	SPACER	1

FIGURE 40. LODESTAR DC BRAKE DOUBLE MODELS B, C, & F

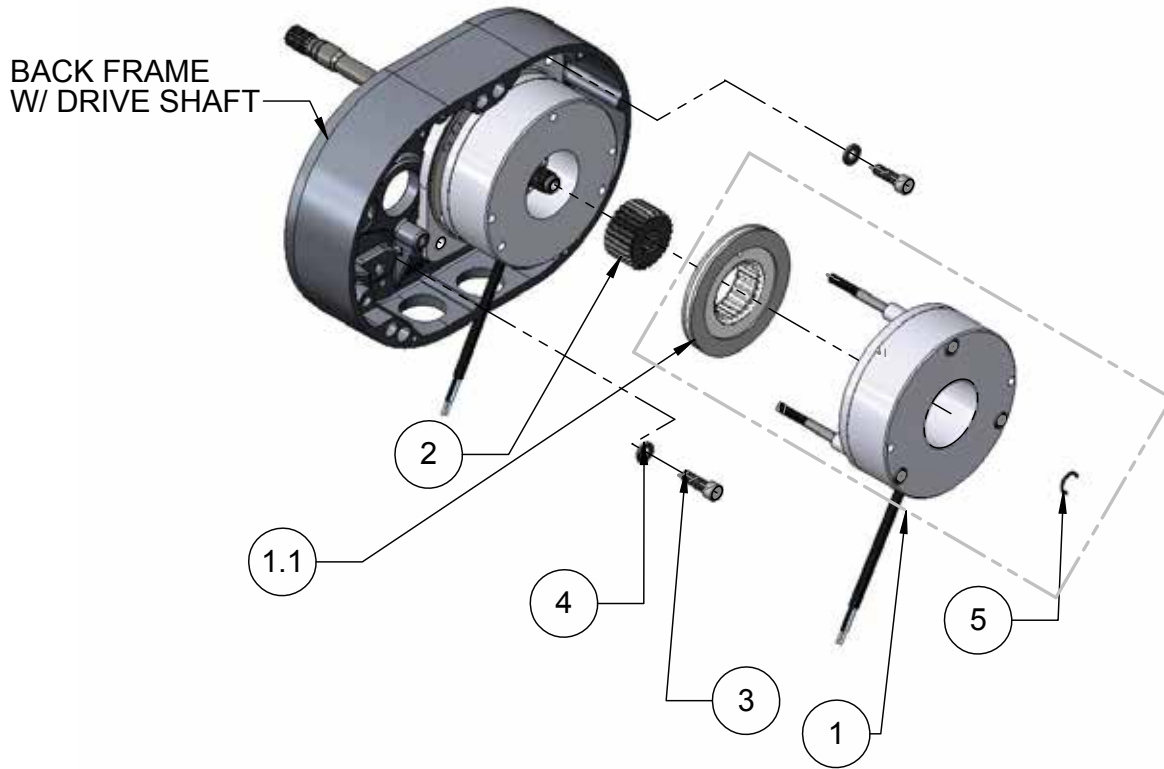


ASSEMBLED VIEW

BRAKE ASSEMBLY ITEM 1	HOIST MOTOR	BRAKE COIL VOLTAGE
10001446	220/230-3-50/60 380/415/480-3-50/60	205VDC

Item No.	PART NO.	DESCRIPTION	Qty.
1	SEE TABLE	V1 #8 DC BRAKE 255V	1
1.1	10001252	V1 LODESTAR, SIZE 8 ROTOR	2
2	00001430	V1 LODESTAR, SIZE 8 HUB	2
3	10001265	1/4-20 X 3/4 SKT HEAD SCREW	2
4	982226	LOCKWASHER 1/4 X .109 X .062"	2
5	00001432	HUB SPACER V1 DC BRAKE	1
6	27766	RING, SNAP WALDES 5100-40PP	1

FIGURE 42. LODESTAR DC BRAKE - SINGLE TO DOUBLE CONVERSION MODELS B, C, & F



BRAKE ASSEMBLY ITEM 1	HOIST MOTOR	BRAKE COIL VOLTAGE
10001455	220/230-3-50/60 380/415/480-3-50/60	205VDC

Item No.	PART NO.	DESCRIPTION	Qty.
1	SEE TABLE	V1 LODESTAR, SIZE 8 BRAKE	1
1.1	10001252	V1 LODESTAR, SIZE 8 ROTOR	1
2	00001430	V1 LODESTAR, SIZE 8 HUB	2
3	10001265	1/4-20 X 3/4 SKT HEAD SCREW	2
4	982226	LOCKWASHER 1/4 X .109 X .062"	2
5	27766	ROTOR CLIP RETAINING RING	1