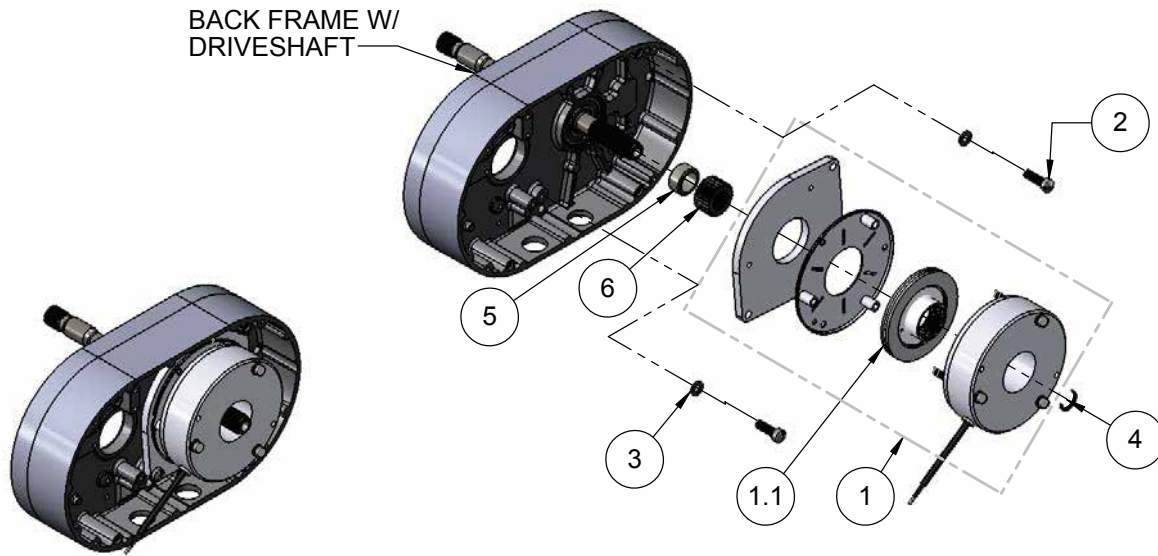


FIGURE 39. LODESTAR DC BRAKE SINGLE MODELS J, L, LL, R, RR, & RRS

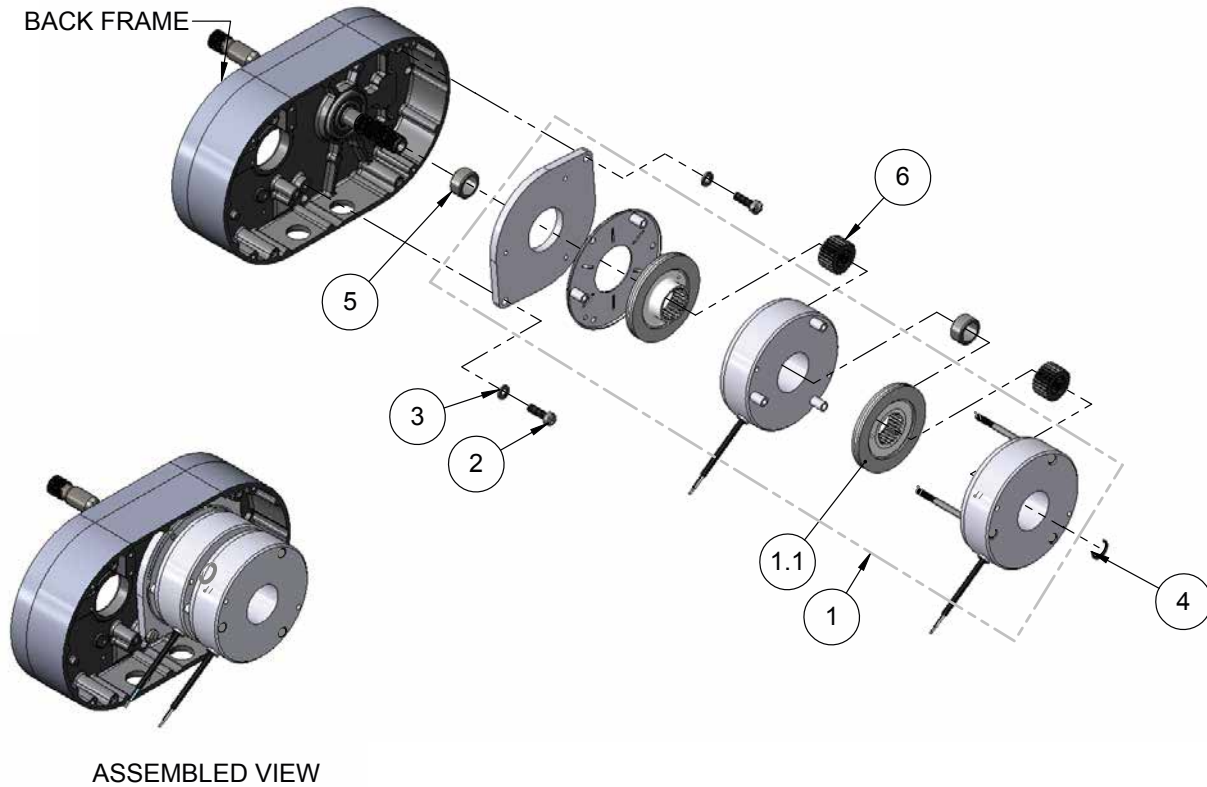


ASSEMBLED VIEW

HOIST MODEL	BRAKE ASSEMBLY ITEM 1	HOIST MOTOR	BRAKE COIL VOLTAGE
J, L, R	10001247	220/230-3-50/60 380/415/480-3-50/60	205VDC
LL, RR, RRS	10001249	220/230-3-50/60 380/415/480-3-50/60	205VDC

Item No.	PART NO.	DESCRIPTION	Qty.
1	SEE TABLE	V2 #10 BRAKE	1
1.1	10001253	V2 LODESTAR, SIZE 10 ROTOR	1
2	982709	SCREW 5/16-18 UNC-2A X 1"	2
3	945851	LOCKWASHER, 5/16 X .125 X .078	2
4	10409711	ROTOR CLIP RETAINING RING	1
5	00001433	HUB SPACER V2 DC INTORQ BRAKE	1
6	00001431	V2 LODESTAR, SIZE 10 HUB	1

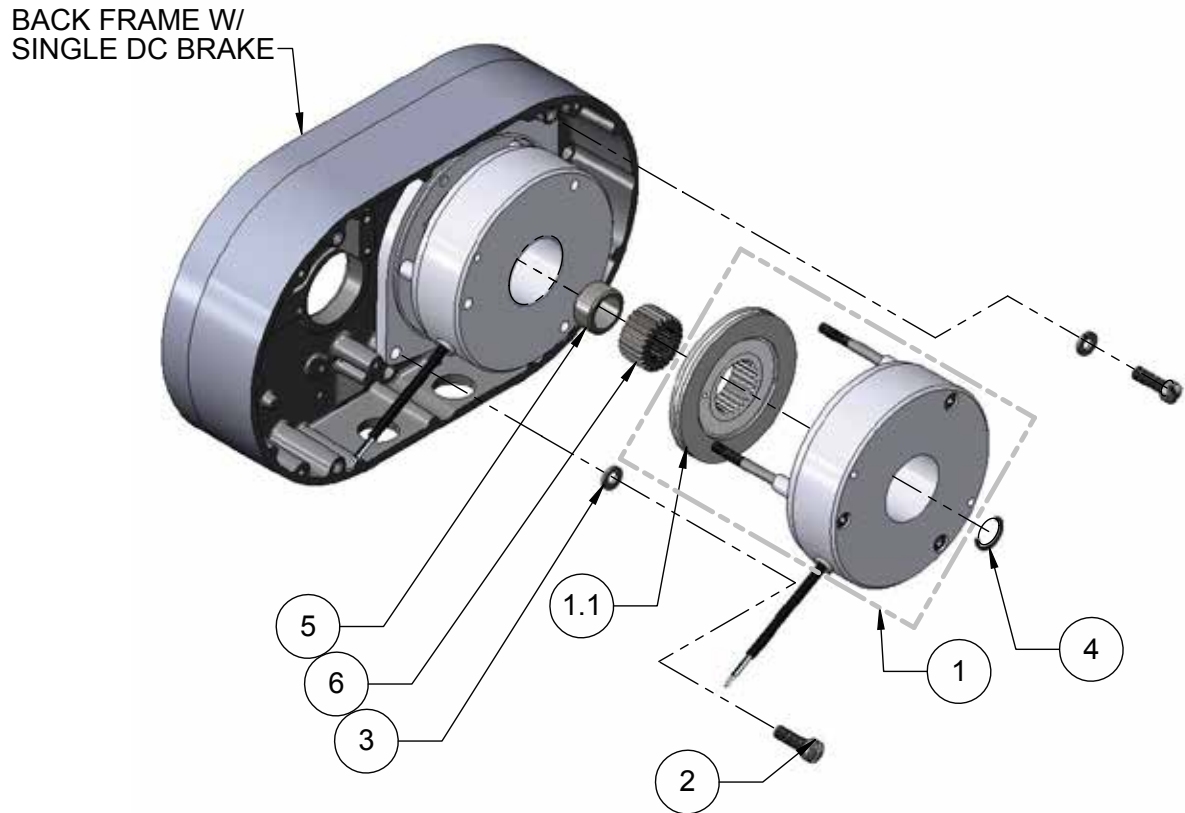
FIGURE 41. LODESTAR DC BRAKE DOUBLE MODELS J, L, LL, R, RR, & RRS



HOIST MODEL	BRAKE ASSEMBLY ITEM 1	HOIST MOTOR	BRAKE COIL VOLTAGE
J, L, R	10001450	220/230-3-50/60 380/415/480-3-50/60	205VDC
LL, RR, RRS	10001452	220/230-3-50/60 380/415/480-3-50/60	205VDC

Item No.	PART NO.	DESCRIPTION	Qty.
1	SEE TABLE	#10 DOUBLE BRAKE	1
1.1	10001253	V2 LODESTAR, SIZE 10 ROTOR	2
2	982709	SCREW 5/16-18 UNC-2A X 1"	2
3	945851	LOCKWASHER, 5/16 X .125 X .078	2
4	35766	ROTOR CLIP RETAINING RING	1
5	00001433	HUB SPACER V2 DC INTORQ BRAKE	2
6	00001431	V2 LODESTAR, SIZE 10 HUB	2

FIGURE 43. LODESTAR DC BRAKE - SINGLE TO DOUBLE CONVERSION MODELS J, L, LL, R, RR, & RRS



HOIST MODEL	BRAKE ASSEMBLY ITEM 1	HOIST MOTOR	BRAKE COIL VOLTAGE
J, L, R	10001458	220/230-3-50/60 380/415/480-3-50/60	205VDC
LL, RR	10001460	220/230-3-50/60 380/415/480-3-50/60	205VDC

Item No.	PART NO.	DESCRIPTION	Qty.
1	SEE TABLE	#10 DOUBLE BRAKE	1
1.1	10001253	V2 LODESTAR, SIZE 10 ROTOR	1
2	982709	SCREW 5/16-18 UNC-2A X 1"	2
3	945851	LOCKWASHER, 5/16 X .125 X .078	2
4	35766	ROTOR CLIP RETAINING RING	1
5	00001433	HUB SPACER V2 DC INTORQ BRAKE	1
6	00001431	V2 LODESTAR, SIZE 10 HUB	1