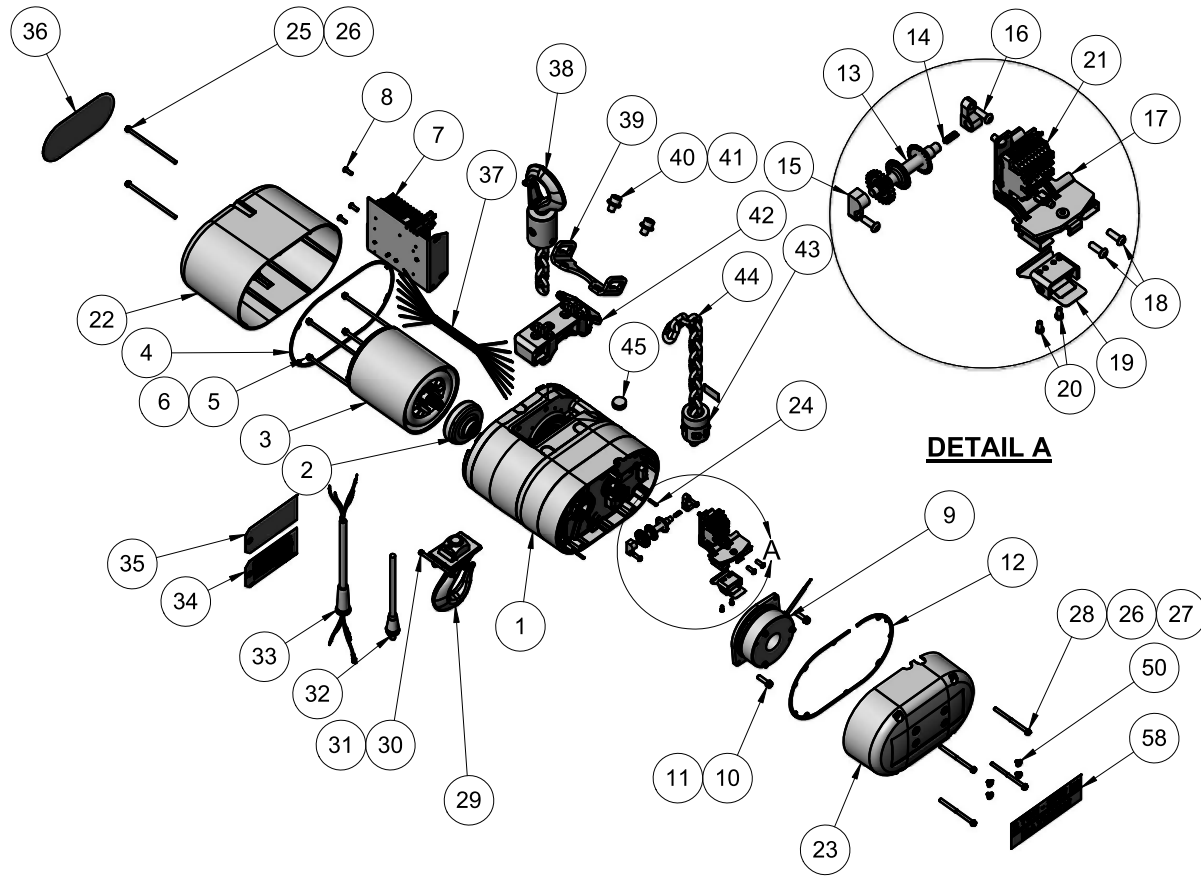


# MODEL RRS



Item No.	Description	Part No.	QTY.
1	GEARBOX ASSEMBLY - SEE GEARBOX SECTION	10001323B	1
2	CLUTCH ASSEMBLY	00000243	1
	CLUTCH ASSEMBLY D8+	00000242	
3	MOTOR 230/460V	10002023	1
4	MOTOR COVER GASKET	10001020	2
5	MOTOR MOUNTING SCREW LOCKWASHER	982226	4
6	MOTOR MOUNTING SCREW	87334	4
7	CONTACTOR PLATE ASSEMBLY	SEE CONTACTOR PLATE SECTION	1
8	CONTACTOR PLATE MOUNTING SCREW	983656	3
9	BRAKE ASSEMBLY	SEE BRAKE SECTION	1
10	BRAKE MOUNTING SCREW	10001697	2
11	BRAKE SCREW LOCKWASHER	945851	2
12	BACK FRAME COVER GASKET	10001345	1
13	LIMIT SWITCH SHAFT S/A	00000524	1*
14	LIMIT SWITCH SHAFT SPRING	35703	1*
15	LIMIT SWITCH BEARING	35751	2*
16	LIMIT SWITCH BEARING SCREW	983656	2*
17	LIMIT SWITCH BRACKET S/A	36827	1*
18	LIMIT SWITCH BRACKET SCREWS	983656	2*
19	LIMIT SWITCH GUIDE PLATE - ROTATABLE	52500	1*
20	LIMIT SWITCH GUIDE MOUNTING SCREW	983614	2*
21	TERMINAL STRIP S/A - FOR DC BRAKE	10001270	1
22	MOTOR COVER	360258B	1
23	BACK FRAME COVER	10001352B	1
24	BACK FRAME COVER PINS	983784	4
25	MOTOR COVER SCREW	10001654	2
26	WASHER	982251	6
27	SCREW RETAINER	00001747	6
28	BACK FRAME COVER SCREW	10001655	4

Item No.	Description	Part No.	QTY.
29	SUPSPENSION ASSEMBLY	SEE SUSPENSION SECTION	1
30	SCREW LOAD BAR	946764	1
31	NUT	82638	1
32	POWER CORD	236205XX	1**
	POWER CORD - DIRECT CONTROL	236209XX	
33	CONTROL CORD	236206XX	1(*)**
34	INSTRUCTION TAG	29271	1
35	HOIST STORAGE TAG	900K262	1
36	SERIES LABEL	00000781	1
37	WIRING HARNESS	00001547	1*
38	LOWER HOOK BLOCK ASSEMBLY	SEE LOWER HOOK SECTION	1
39	CHAIN BAG BRACKET (IF REQUESTED)	10001042	1
40	CHAIN BAG BRACKET SCREW (IF REQUESTED)	982433	2
41	WASHER	10001043	2
42	CHAIN CHUTE - SINGLE FALL	10001014	1
43	CHAIN STOP KIT	24016K	1
44	LOAD CHAIN	85949 (ZINC PLATED)	AS REQ'D
		85983 (EN 818-7, ZINC PLATED)	
		85979 (BURNISHED AND OILED)	
		85966 (ZINC PHOSPHATE PLATED)	
		85916 (NICKLE PLATED)	
45	RUBBER PLUG	27891	1
46	EMPTY	-	1
47	EMPTY	-	1
48	EMPTY	-	1
49	EMPTY	-	1
50	BACK FRAME HOLE PLUG	00000574	4
51	WARNING LABEL	00000209	1
52	RoHS LABEL	00000782	1
53	ELECTRICAL INFORMATION LABEL	24846	1
54	CHAIN LABEL	928894	1
55	WARNING LABEL, ELECTRICAL HAZARD	24842	2
56	CE LABEL	40219	1
57	CORD GRIPS	10001840	2***
	CORD GRIP PLUG	10001855	1***
58	CAPACITY LABEL	00000776	1
	CAPACITY LABEL D8+	00000215	

\*Not required for Direct Control.

\*\*Cords can be ordered in various lengths. Replace XX with desired length of cord; e.g. 23620505 = 5' cord.

\*\*\*Direct Control units use (1) 10001840 and (1)10001855. All other units use (2) 10001840.