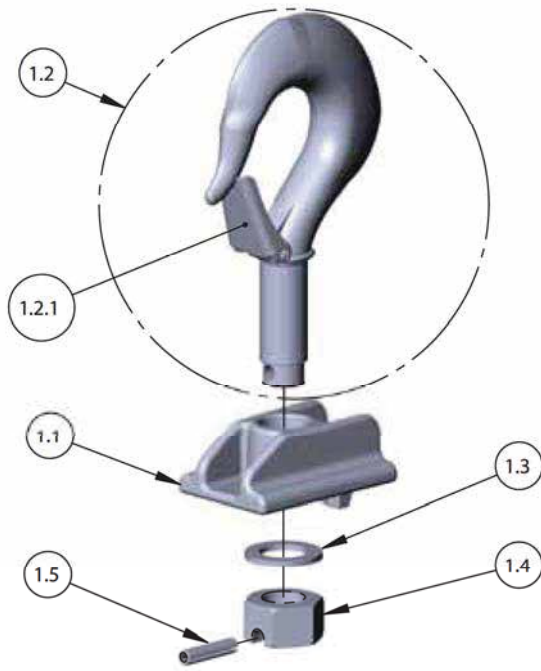
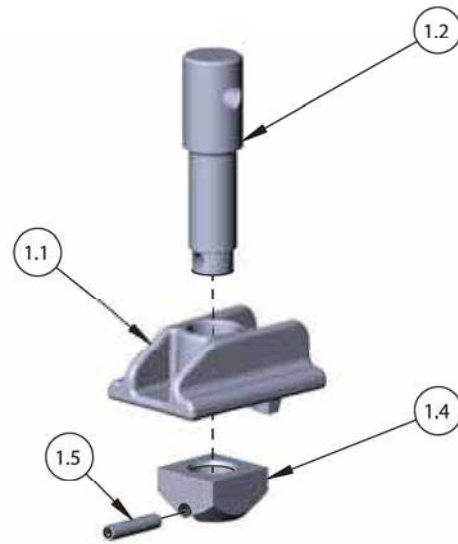


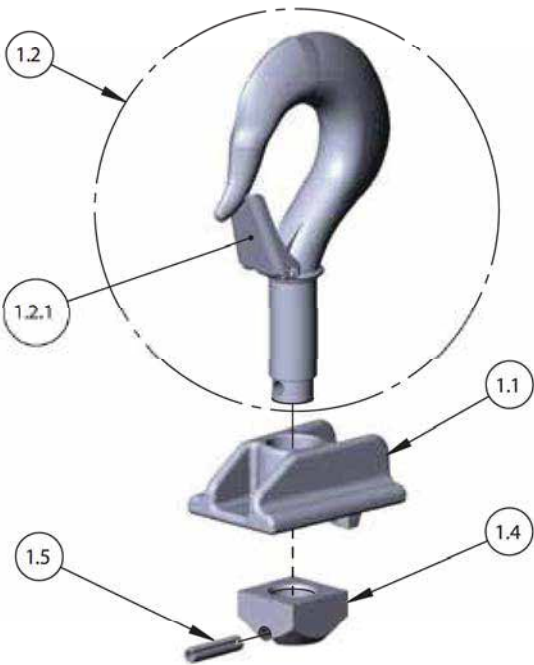
FIGURE 35. UPPER SUSPENSIONS – RRS



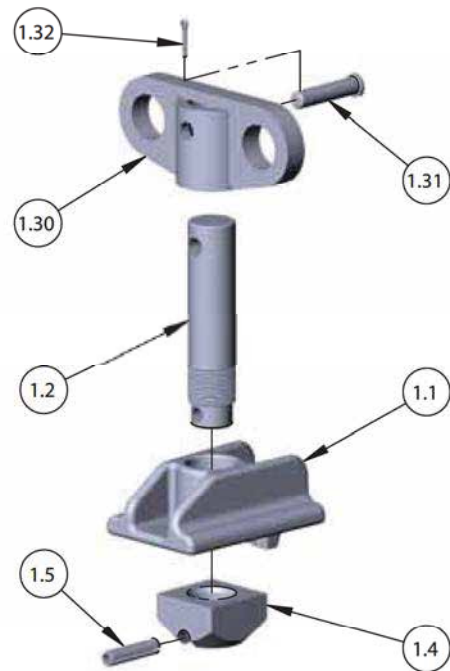
SWIVEL HOOK ASSEMBLY



LUG ASSEMBLY



RIGID HOOK ASSEMBLY



UNIVERSAL TROLLEY LUG ASSEMBLY

UPPER SUSPENSIONS-RRS

Item No.	Description	Part Numbers	Qty.
1	SWIVEL SUSPENSION ASSEMBLY - W/ LATCH TYPE HOOK	10001574***	1
	SWIVEL SUSPENSION ASSEMBLY - W/ LATCHLOK TYPE HOOK	-*	
	SWIVEL SUSPENSION ASSEMBLY - W/LATCHLOK TYPE HOOK	10001576	
	RIGID SUSPENSION ASSEMBLY - W/ LATCH TYPE HOOK	***10001573	
	RIGID SUSPENSION ASSEMBLY - W/ LATCH TYPE HOOK CROSS MOUNT	***10001573X	
	RIGID SUSPENSION ASSEMBLY - W/LATCHLOK TYPE HOOK	-*	
	LUG SUSPENSION FOR LOW HEADROOM OR MOTOR DRIVEN TROLLEY	***10001577	
	LUG SUSPENSION FOR LOW HEADROOM OR MOTOR DRIVEN TROLLEY CROSS MOUNT	***10001577X	
	LUG SUSPENSION FOR UNIVERSAL TROLLEY	***10001578	
	LUG SUSPENSION FOR UNIVERSAL TROLLEY CROSS MOUNT	***10001578X	
1.1	SUSPENSION ADAPTER	10001050B	1
1.2	UPPER HOOK SUB-ASSEMBLY - LATCH TYPE	35616B	1
	UPPER HOOK SUB-ASSEMBLY - LATCHLOK TYPE	36680	
	SUSPENSION LUG FOR LOW HEADROOM OR MOTOR DRIVEN TROLLEY	35457	
	SUSPENSION LUG FOR UNIVERSAL TROLLEY	002508	
1.2.1	LATCH KIT	45663	1**
1.3	THRUST WASHER (FOR SWIVEL SUSPENSIONS ONLY)	35426	1
1.4	UPPER HOOK COLLAR FOR SWIVEL SUSPENSIONS	35041	1
	UPPER HOOK COLLAR FOR RIGID HOOK AND LUG SUSPENSIONS	45918	
1.5	SPRING PIN	983762	1
1.6	DEAD END BOLT	35957	1
1.7	DEAD END BLOCK	35418	1
1.8	DEAD END PIN	82314	1
1.9	WASHER	987877	1
1.10	COTTER PIN	988330	1
1.11	SUSPENSION SCREW	36849	2
1.30	LUG ADAPTER	00002503	1
1.31	LUG ADAPTER PIN	00002504	1
1.32	COTTER PIN	H5025P	1

*Contact factory for Latchlok hooks and assemblies

**Latch Type hooks assemblies come with latches installed

***SUSPENSION ASSEMBLIES COME WITH MOUNTING HARDWARE.