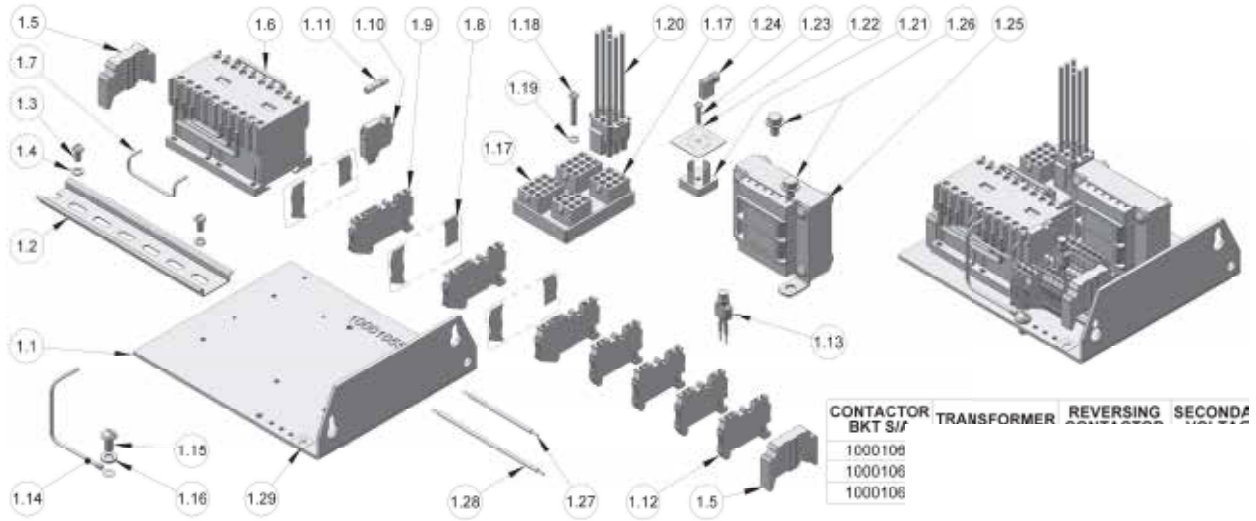


CONTACTOR PLATE ASSEMBLY FOR USE WITH DC BRAKE
220/230-380/415/460-3-50/60
MODELS RRS

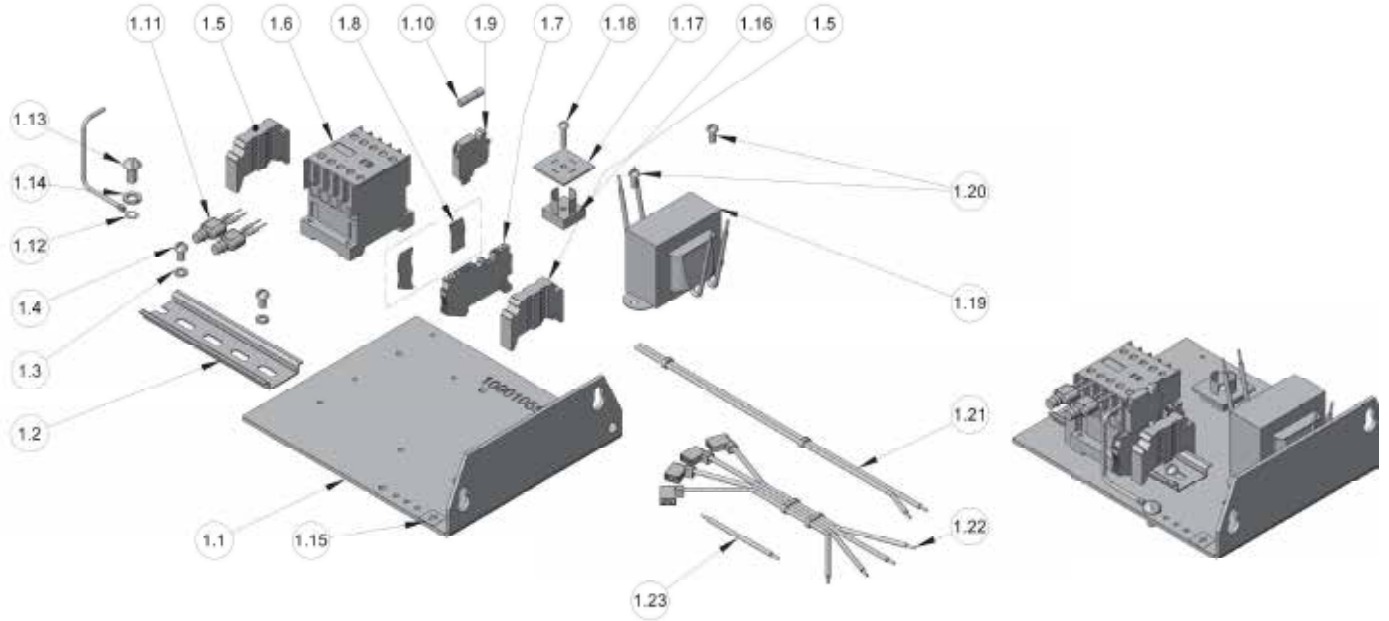


CONTACTOR BKT S/A	TRANSFORMER	REVERSING CONTACTOR	SECONDARY VOLTAGE
10001064	00000594T	28860	24 V
10001065	00000595T	24797	48 V
10001066	00000596T	24799	110 V

ITEM NO.	PART NUMBER	DESCRIPTION	QTY.
1	SEE TABLE	CTRLS ASSY-DUAL VOLTAGE	1
1.1	10001055	CONTACTOR CONTROLS BRACKET	1
1.2	29010	DIN-RAIL 6.50" LONG	1
1.3	10001259	#10-32 X 5/16 BUTTON SKT HEAD SCREW	2
1.4	987873	LOCKWASHER #10 ASA MEDIUM	2
1.5	29015	TERMINAL STRIP END CLAMP	2
1.6	SEE TABLE	REVERSING CONTACTOR	1
1.7	51847	JUMPER	1
1.8	00000398	TERMINAL STRIP COVER SEGMENT	3
1.9	29018	FUSIBLE TERMINAL STRIP	3
1.10	29019	TERMINAL STRIP CARTRIDGE	3*
1.11	00000393	FUSE-5MM X 20MM-500MA	1
1.11*	00000394	FUSE 5MM X 20MM	2
1.12	29014	TERMINAL STRIP	4
1.13	00000535	SURGE SUPPRESSOR	1
1.14	27189	JUMPER-G/Y-#16 AWG	1
1.15	987827	SCREW 1/4-20 UNC-2A X 1/2"	1
1.16	982226	LOCKWASHER 1/4 X .109 X .062"	1
1.17	10001233	VOLTAGE CHANGE BOARD	1
1.18	10001263	#6-32 X 1/2 BUTTON SKT HEAD SCREW	1
1.19	957844	LOCKWASHER	1
1.20	00001733	HARNESS V2/CONTACTOR	1
1.21	70246	RECTIFIER	1
1.22	70274	INSULATOR, RECTIFIER	1
1.23	10001264	#6-32 X 1/2 BUTTON SKT HEAD SCREW	1
1.24	983197	WIRING TERMINAL	1
1.25	SEE TABLE	TRANSFORMER-V2-230/460 PRIMARY	1
1.26	10001262	1/4-20 X 5/16 BUTTON SKT HEAD SCREW	2
1.27	00000537	B8 JUMPER	1
1.28	00000538	B9 JUMPER	1
1.29	20940	GROUND LABEL	1

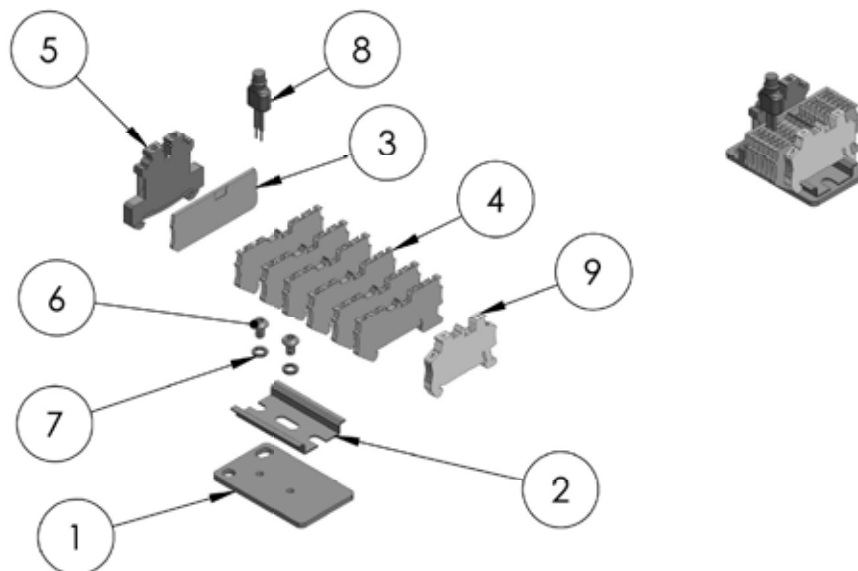
*HOIST PROVIDED WITH FUSES OR SHUNTS (29017) DEPENDING ON APPLICATION.

**CONTACTOR PLATE ASSEMBLY FOR USE WITH DC BRAKE
DIRECT CONTROL 380/415/460-3-50/60
MODELS RRS**



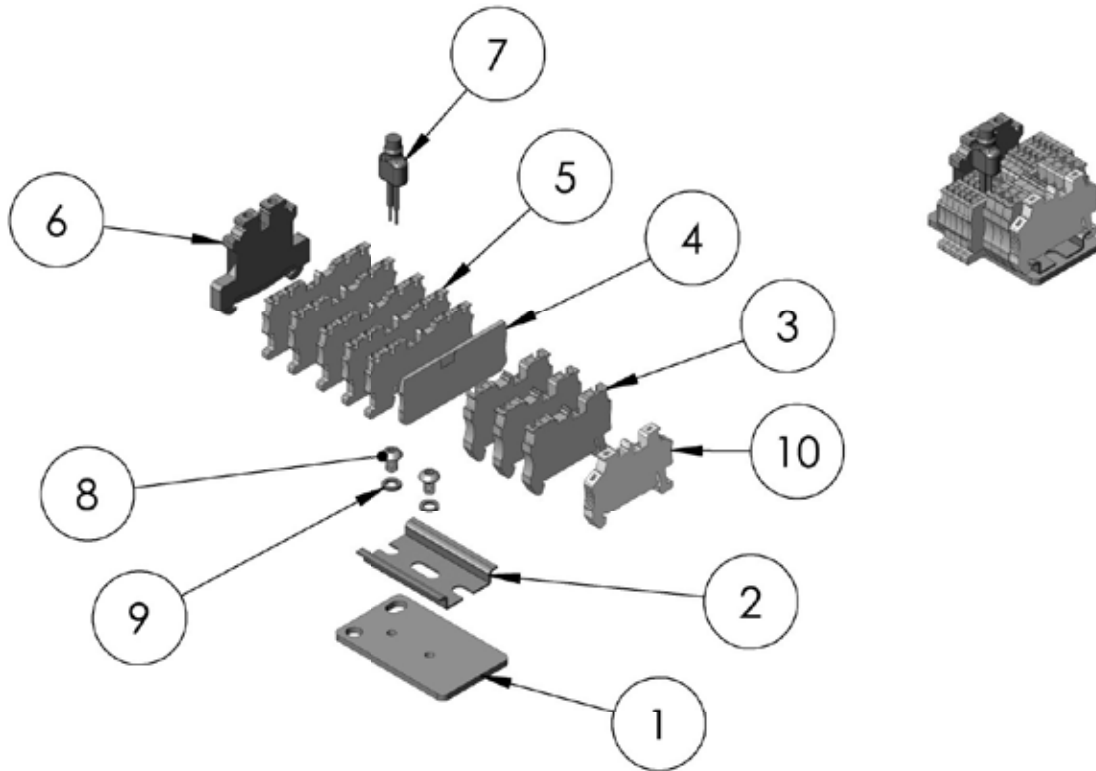
ITEM NO.	PART NUMBER	DESCRIPTION	QTY.
1	10001070	CTRLS ASSY-DUAL VOLTAGE	1
1.1	10001055	CONTACTOR CONTROLS BRACKET	1
1.2	29009	DIN-RAIL 6.50" LONG	1
1.3	987873	LOCKWASHER #10 ASA MEDIUM	2
1.4	10001259	#10-32 X 5/16 BUTTON SKT HEAD SCREW	2
1.5	29015	TERMINAL STRIP END CLAMP	2
1.6	28904	NON-REVERSING CONTACTOR	1
1.7	29018	FUSIBLE TERMINAL STRIP	1
1.8	00000398	TERMINAL STRIP COVER SEGMENT	1
1.9	29019	TERMINAL STRIP CARTRIDGE	1
1.10	00000393	FUSE-5MM X 20MM-500MA	1
1.11	00000535	SURGE SUPPRESSOR	2
1.12	27189	GROUND JUMPER	1
1.13	987827	SCREW 1/4-20 UNC-2A X 1/2"	1
1.14	982226	LOCKWASHER 1/4 X .109 X .062"	1
1.15	20940	GROUND LABEL	1
1.16	70246	RECTIFIER	1
1.17	70274	INSULATOR, RECTIFIER	1
1.18	10001264	#6-32 X 1/2 BUTTON SKT HEAD SCREW	1
1.19	10001114	TRANSFORMER	1
1.20	10001260	#8-32 X 5/16 BUTTON SKT HEAD SCREW	2
1.21	10001117	H5/H6 JUMPER HARNESS	1
1.22	00000326	RECTIFIER HARNESS	1
1.23	51845	JUMPER	1

SINGLE PHASE TERMINAL STRIP ASSEMBLY MODELS J, JJ, L, LL, R, RR, & RRS



ITEM NO.	PART NUMBER	DESCRIPTION	QTY.
1	10001409	MOUNTING BRACKET	1
2	10001466	DIN-RAIL 2.0" LONG	1
3	10001406	QUATTRO END COVER	1
4	10001403	QUATTRO FEED-THRU TERMINAL BLOCK	6
5	10001433	GROUNDING BLOCK GREEN/YELLOW	1
6	10001259	#10-32 x 5/16 BUTTON SKT HEAD	2
7	987873	LOCKWASHER #10 ASA MEDIUM	2
8	00000535	SURGE SUPPRESSOR	1

THREE PHASE TERMINAL STRIP ASSEMBLY MODELS J, JJ, L, LL, R, RR, & RRS



ITEM NO.	PART NUMBER	DESCRIPTION	QTY.
1	10001409	MOUNTING BRACKET	1
2	10001466	DIN-RAIL 2.0" LONG	1
3	10001424	TERMINAL BLOCK-FEED THRU	3
4	10001406	QUATTRO END COVER	1
5	10001403	QUATTRO FEED-THRU TERMINAL BLOCK	5
6	10001433	GROUNDING BLOCKGREEN/YELLOW	1
7	0000535	SURGE SUPPRESSOR	1
8	10001259	#10-32 x 5/16 BUTTON SKT HEAD	2
9	987873	LOCKWASHER #10 ASA MEDIUM	2
10	10001408	CLIPFIX 35-5 END CLAMP	1