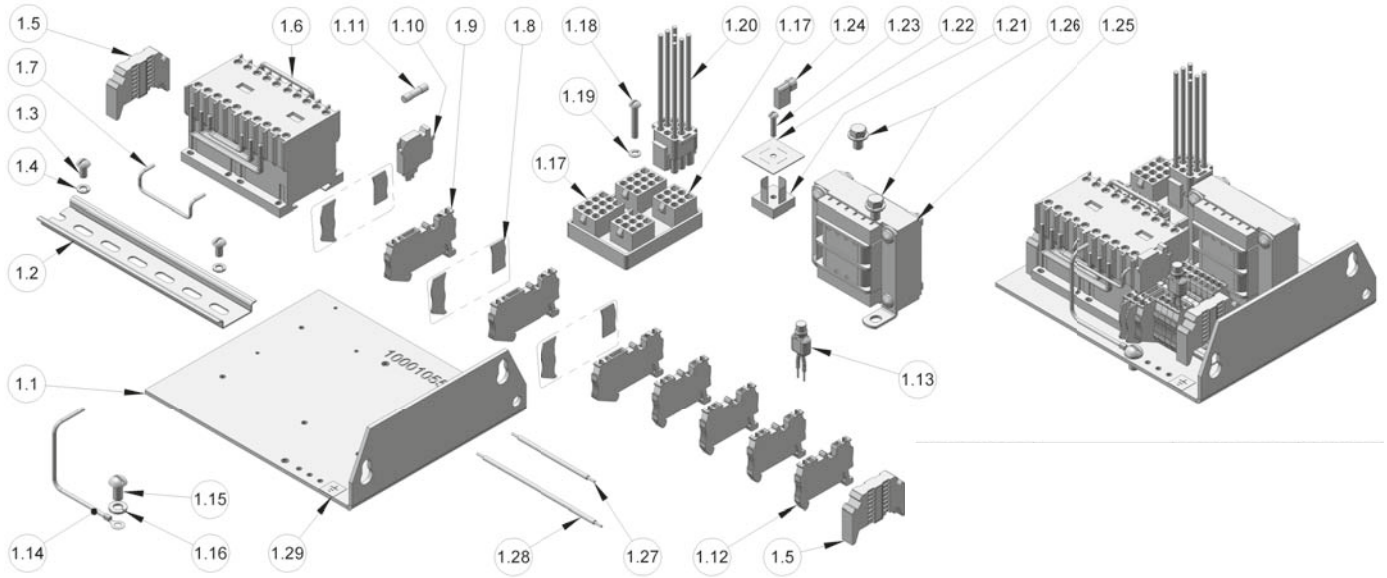


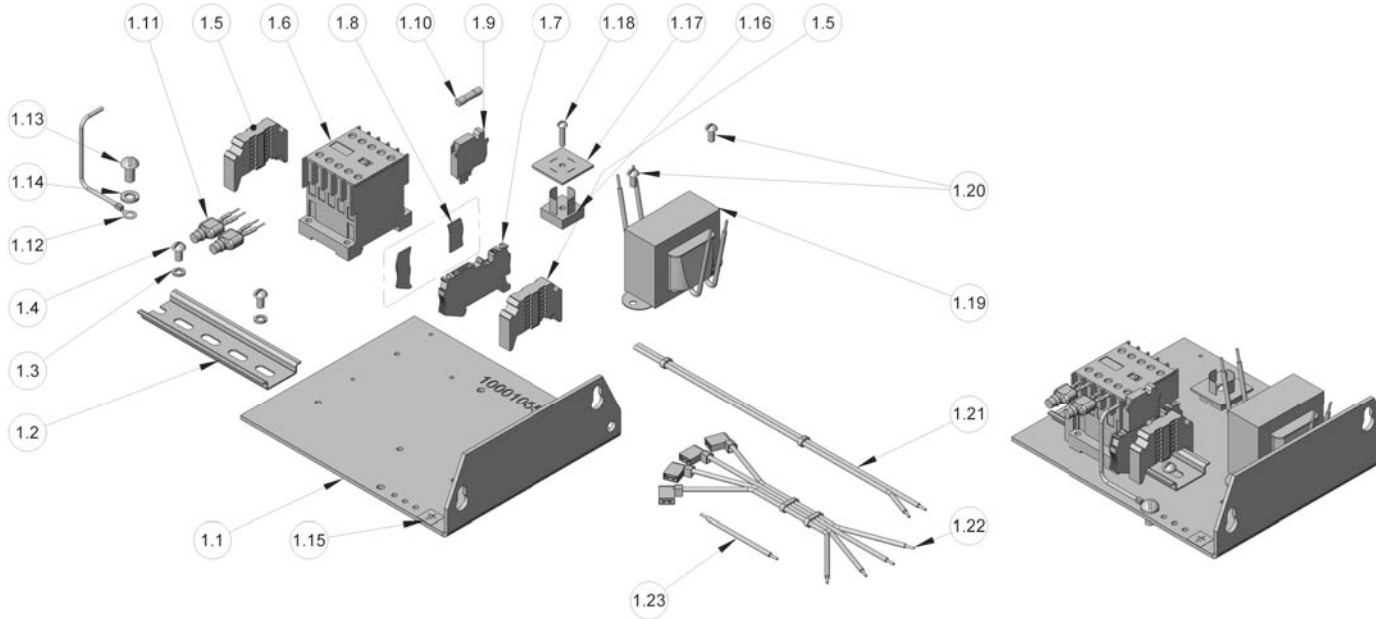
**FIGURE 48. CONTACTOR PLATE ASSEMBLY FOR USE WITH DC BRAKE
220/230-380/415/460-3-50/60 MODELS: RRS**



CONTACTOR BKT S/A	TRANSFORMER	REVERSING CONTACTOR	SECONDARY VOLTAGE
10001064	00000594T	28860	24 V
10001065	00000595T	24797	48 V
10001066	00000596T	24799	110 V

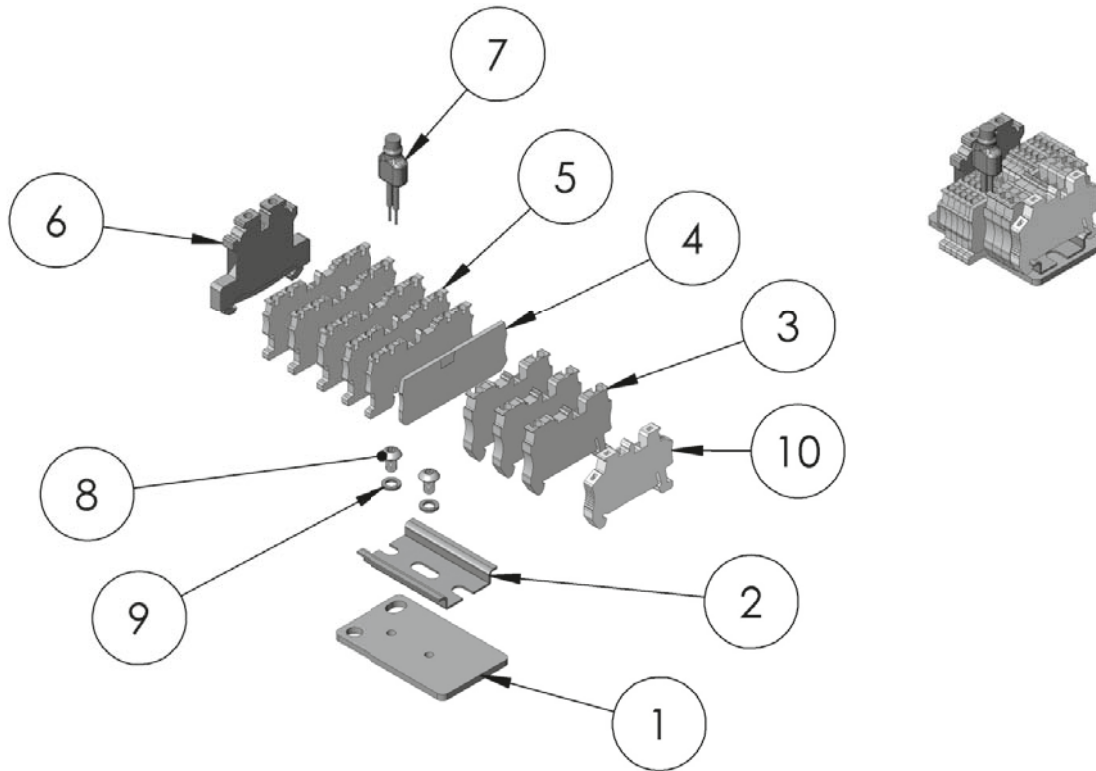
ITEM NO.	PART NUMBER	DESCRIPTION	QTY.
1	SEE TABLE	CTRLS ASSY-DUAL VOLTAGE	1
1.1	10001055	CONTACTOR CONTROLS BRACKET	1
1.2	29010	DIN-RAIL 6.50" LONG	1
1.3	10001259	#10-32 X 5/16 BUTTON SKT HEAD SCREW	2
1.4	987873	LOCKWASHER #10 ASA MEDIUM	2
1.5	29015	TERMINAL STRIP END CLAMP	2
1.6	SEE TABLE	REVERSING CONTACTOR	1
1.7	51847	JUMPER	1
1.8	00000398	TERMINAL STRIP COVER SEGMENT	3
1.9	29018	FUSIBLE TERMINAL STRIP	3
1.10	29019	TERMINAL STRIP CARTRIDGE	1
1.11	00000393	FUSE-5MM X 20MM-500MA	1
1.12	29014	TERMINAL STRIP	4
1.13	00000535	SURGE SUPPRESSOR	1
1.14	27189	JUMPER-G/Y-#16 AWG	1
1.15	987827	SCREW 1/4-20 UNC-2A X 1/2"	1
1.16	982226	LOCKWASHER 1/4 X .109 X .062"	1
1.17	10001233	VOLTAGE CHANGE BOARD	1
1.18	10001263	#6-32 X 1/2 BUTTON SKT HEAD SCREW	1
1.19	957844	LOCKWASHER	1
1.20	00001733	HARNESS V2/CONTACTOR	1
1.21	70246	RECTIFIER	1
1.22	70274	INSULATOR, RECTIFIER	1
1.23	10001264	#6-32 X 1/2 BUTTON SKT HEAD SCREW	1
1.24	983197	WIRING TERMINAL	1
1.25	SEE TABLE	TRANSFORMER-V2-230/460 PRIMARY	1
1.26	10001262	1/4-20 X 5/16 BUTTON SKT HEAD SCREW	2
1.27	00000537	B8 JUMPER	1
1.28	00000538	B9 JUMPER	1
1.29	20940	GROUND LABEL	1

FIGURE 49. CONTACTOR PLATE ASSEMBLY FOR USE WITH DC BRAKE DIRECT CONTROL 380/415/460-3-50/60 MODELS: RRS



ITEM NO.	PART NUMBER	DESCRIPTION	QTY.
1	10001070	CTRLS ASSY-DUAL VOLTAGE	1
1.1	10001055	CONTACTOR CONTROLS BRACKET	1
1.2	29009	DIN-RAIL 6.50" LONG	1
1.3	987873	LOCKWASHER #10 ASA MEDIUM	2
1.4	10001259	#10-32 X 5/16 BUTTON SKT HEAD SCREW	2
1.5	29015	TERMINAL STRIP END CLAMP	2
1.6	28904	NON-REVERSING CONTACTOR	1
1.7	29018	FUSIBLE TERMINAL STRIP	1
1.8	00000398	TERMINAL STRIP COVER SEGMENT	1
1.9	29019	TERMINAL STRIP CARTRIDGE	1
1.10	00000393	FUSE-5MM X 20MM-500MA	1
1.11	00000535	SURGE SUPPRESSOR	2
1.12	27189	GROUND JUMPER	1
1.13	987827	SCREW 1/4-20 UNC-2A X 1/2"	1
1.14	982226	LOCKWASHER 1/4 X .109 X .062"	1
1.15	20940	GROUND LABEL	1
1.16	70246	RECTIFIER	1
1.17	70274	INSULATOR, RECTIFIER	1
1.18	10001264	#6-32 X 1/2 BUTTON SKT HEAD SCREW	1
1.19	10001114	TRANSFORMER	1
1.20	10001260	#8-32 X 5/16 BUTTON SKT HEAD SCREW	2
1.21	10001117	H5/H6 JUMPER HARNESS	1
1.22	00000326	RECTIFIER HARNESS	1
1.23	51845	JUMPER	1

FIGURE 50. THREE PHASE TERMINAL STRIP ASSEMBLY MODELS J, L, LL, R, RR AND RRS



ITEM NO.	PART NUMBER	DESCRIPTION	QTY.
1	10001409	MOUNTING BRACKET	1
2	10001466	DIN-RAIL 2.0" LONG	1
3	10001424	TERMINAL BLOCK-FEED THRU	3
4	10001406	QUATTRO END COVER	1
5	10001403	QUATTRO FEED-THRU TERMINAL BLOCK	5
6	10001433	GROUNDING BLOCKGREEN/YELLOW	1
7	0000535	SURGE SUPPRESSOR	1
8	10001259	#10-32 x 5/16 BUTTON SKT HEAD	2
9	987873	LOCKWASHER #10 ASA MEDIUM	2
10	10001408	CLIPFIX 35-5 END CLAMP	1

LUBRICANTS

Part Number for Packaged Lubricants Used in the Lodestar Electric Chain Hoists (Refer to page 14 for Lubrication Instructions)		
Lubricant Usage	Type of Lubricant	Part Numbers and Packaged Quantity of Lubricants
Hoist Gears	Grease (Special)	Models A to H uses 28605
		Model J to RRT excluding RRS uses 28617
		Model RRS uses 1 each of both 28605 and 28617
Load Chain	Oil	28608 for 1 Pint Can 28619 for 1 Gal Can
Limit Switch Shaft Threads	*Oil	"3 in 1" or Light Machine Oil-obtain locally
Lower Hook Thrust Bearing	*Oil	Heavy Machine Oil obtain locally

*These oils are not furnished by CM in Packaged Quantities. When ordering lubricants, specify the type of lubricant, part number and packages quantity required.

Touch-up Paints for Lodestar Electric Chain Hoists:

Hoist Order *(1) case (12-12 oz. Aerosol Cans) of Black Touch-up paints Part Number 84189.

*Touch-up paints are only available in case quantities.

NOTE: When painting hoists, also order warning labels, identification labels, etc. that may be coated during painting.

RECOMMENDED SPARE PARTS

To insure continued service of the Lodestar Hoist, the following is a list of parts that are recommended to be kept on hand at all times to replace parts that have worn or failed.

Part Description	Models B, C, H	Models J-RR	Model RRS	Qty. Required Per Hoist
Limit Switch Kit	31631	31636	31636	1
Transformer	See Contactor Plate Section	See Contactor Plate Section	See Contactor Plate Section	0 or 1
Fuse - 500mA	00000393	00000393	00000393	1
Fuse - 1A	00000394	00000394	00000394	2
CM Terminal Pin-Extraction Tool (Dual Voltage Only)	27163	27163	27163	1
Suspension Bolts	987554	36846	10001047/82638	2 (1 EA RRS)
Clutch Spring Service Kit	N/A	HW5800A00SP	HW5800A00SP	1